

## High Productivity Cooking Electric Rectangular Boiling Pan, 300lt, Freestanding + Tap

ITEM # \_\_\_\_\_

MODEL # \_\_\_\_\_

NAME # \_\_\_\_\_

SIS # \_\_\_\_\_

AIA # \_\_\_\_\_


**586561 (PBEN30EEEM)**

 Electric Boiling Pan 300lt (s),  
 rectangular with mixing tap,  
 GuideYou panel,  
 freestanding

### Short Form Specification

#### Item No.

AISI 304 stainless steel construction. Deep drawn vessel in AISI 316 stainless steel. Insulated and counterbalanced lid. Water mixing unit included. Unit to include food tap. Food is uniformly heated via the base and the side walls of the pan by an indirect heating system using integrally generated saturated steam at a maximum temperature of 125°C in a jacket with an automatic deaeration system. Safety valve avoids overpressure of the steam in the jacket. Safety thermostat protects against low water level in the double jacket. TOUCH control panel. SOFT function. Possibility to store recipes in single or multiphase cooking process, with different temperature settings. Built in temperature sensors for precise control of cooking process. IPX6 water resistant. Configuration: Free-standing or Standing against a wall. Installation options (not included): floor mounted on 100mm high feet or a plinth which can be either steel or masonry construction.

### Main Features

- Kettle is suitable to boil, steam, poach, braise or simmer all kinds of produce.
- Square inner kettle allows working with stacked Gastronorm containers, which facilitate loading and unloading operations.
- Large capacity food tap enables safe and effortless discharging of contents.
- Isolated upper well rim avoids risk of harm for the user.
- Discharge tap is very easy to disassemble and clean.
- IPX6 water resistant.
- Built in temperature sensor to precisely control the cooking process.
- USB connection to easily update the software, upload/download recipes and download HACCP data.

### Construction

- Cooking vessel in 1.4435 (AISI 316L) stainless steel. Double-jacket in 1.4404 (AISI 316L) stainless steel designed to operate at a pressure of 1.5 bar.
- External panelling and internal frame made of 1.4301 (AISI 304) stainless steel.
- Safety valve avoids overpressure of the steam in the double jacket.
- 2" diameter discharge tap for rapid emptying of the well.
- Minimised presence of narrow gaps for easier cleaning of the sides to meet the highest hygiene standards.
- Integrated water mixing tap to make water filling and pan cleaning operations easier.
- Can be prearranged for energy optimisation or external surveillance systems (optional).
- GuideYou Panel - activated by the user via settings - to easily follow the multiphase recipes, granting a proper and controlled cooking and a better appliance optimization. The system will provide maintenance reminders, in line with ESSENTIA program, helping the user to properly take care of the product, avoiding downtimes.
- Highly-visible and bright led TOUCH control panel features user-friendly icons and intuitive self-explanatory command options. Display visualizes:
  - Actual and set temperature
  - Set and remaining cooking time
  - Pre-heating phase (if activated)
  - GuideYou Panel (if activated)
  - Deferred start
  - Soft Function to reach the target temperature smoothly

APPROVAL: \_\_\_\_\_

- 9 Power Control levels from simmering to fierce boiling
- Pressure mode (in pressure models)
- Stirrer ON/OFF settings (in round boiling models)
- Error codes for quick trouble-shooting
- Maintenance reminders

### User Interface & Data Management

- Connectivity ready for real time access to connected appliances from remote and data monitoring (requires optional accessory - contact the Company for more details).

### Sustainability

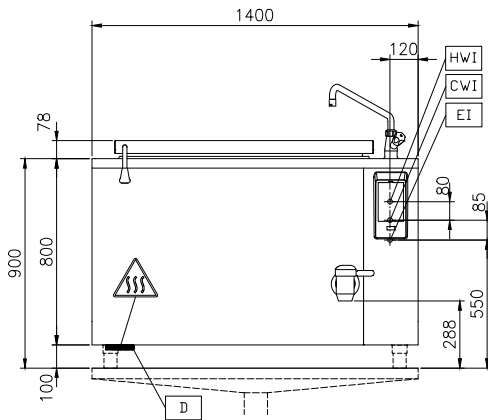
- High-quality thermal insulation of the pan saves energy and keeps operating ambient temperature low.

### Optional Accessories

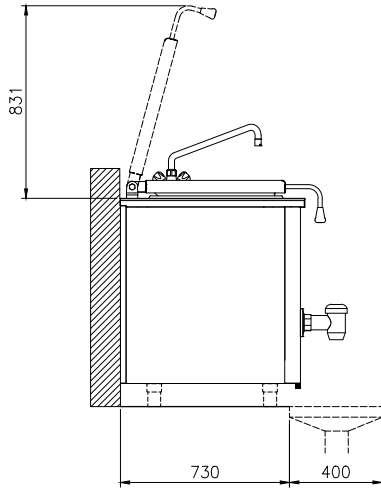
- |  |  |
|--|--|
| <ul style="list-style-type: none"> <li>• Strainer for dumplings for all tilting &amp; stationary braising and pressure braising pans (except 80lt) and for all stationary rectangular and 100lt round boiling pans <span style="float: right;">PNC 910053 <input type="checkbox"/></span></li> <li>• Scraper for dumpling strainer for boiling and braising pans <span style="float: right;">PNC 910058 <input type="checkbox"/></span></li> <li>• Base plate for 300lt rectangular boiling pans <span style="float: right;">PNC 910183 <input type="checkbox"/></span></li> <li>• Suspension frame GN1/1 for rectangular boiling and braising pans <span style="float: right;">PNC 910191 <input type="checkbox"/></span></li> <li>• Manometer kit for stationary boiling pans - long - factory fitted <span style="float: right;">PNC 912120 <input type="checkbox"/></span></li> <li>• Power Socket, CEE16, built-in, 16A/400V, IP67, red-white - factory fitted <span style="float: right;">PNC 912468 <input type="checkbox"/></span></li> <li>• Power Socket, CEE32, built-in, 32A/400V, IP67, red-white - factory fitted <span style="float: right;">PNC 912469 <input type="checkbox"/></span></li> <li>• Power Socket, SCHUKO, built-in, 16A/230V, IP68, blue-white - factory fitted <span style="float: right;">PNC 912470 <input type="checkbox"/></span></li> <li>• Power Socket, TYP23, built-in, 16A/230V, IP55, black - factory fitted <span style="float: right;">PNC 912471 <input type="checkbox"/></span></li> <li>• Power Socket, TYP25, built-in, 16A/400V, IP55, black - factory fitted <span style="float: right;">PNC 912472 <input type="checkbox"/></span></li> <li>• Power Socket, SCHUKO, built-in, 16A/230V, IP55, black - factory fitted <span style="float: right;">PNC 912473 <input type="checkbox"/></span></li> <li>• Power Socket, CEE16, built-in, 16A/230V, IP67, blue-white - factory fitted <span style="float: right;">PNC 912474 <input type="checkbox"/></span></li> <li>• Power Socket, TYP23, built-in, 16A/230V, IP54, blue - factory fitted <span style="float: right;">PNC 912475 <input type="checkbox"/></span></li> <li>• Power Socket, SCHUKO, built-in, 16A/230V, IP54, blue - factory fitted <span style="float: right;">PNC 912476 <input type="checkbox"/></span></li> <li>• Power Socket, TYP25, built-in, 16A/400V, IP54, red-white - factory fitted <span style="float: right;">PNC 912477 <input type="checkbox"/></span></li> <li>• Measuring rod and strainer for 300lt stationary rectangular boiling pans <span style="float: right;">PNC 912482 <input type="checkbox"/></span></li> <li>• Connecting rail kit, 800mm <span style="float: right;">PNC 912500 <input type="checkbox"/></span></li> </ul> | <ul style="list-style-type: none"> <li>• Set of 4 feet for stationary units (height 100mm) - factory fitted <span style="float: right;">PNC 912701 <input type="checkbox"/></span></li> <li>• Automatic water filling (hot and cold) for stationary units (width 700-1000mm): rectangular pressure boiling and braising pans - factory fitted <span style="float: right;">PNC 912736 <input type="checkbox"/></span></li> <li>• Kit energy optimization and potential free contact - factory fitted <span style="float: right;">PNC 912737 <input type="checkbox"/></span></li> <li>• Mainswitch 60A, 10mm<sup>2</sup> - factory fitted <span style="float: right;">PNC 912774 <input type="checkbox"/></span></li> <li>• External touch control device for stationary units - factory fitted <span style="float: right;">PNC 912783 <input type="checkbox"/></span></li> <li>• Connecting rail kit: modular 80 (on the left) to ProThermetic tilting (on the right), ProThermetic stationary (on the left) to ProThermetic (on the right) <span style="float: right;">PNC 912971 <input type="checkbox"/></span></li> <li>• Connecting rail kit: modular 80 (on the right) to ProThermetic tilting (on the left), ProThermetic stationary (on the right) to ProThermetic (on the left) <span style="float: right;">PNC 912972 <input type="checkbox"/></span></li> <li>• Stainless steel plinth for stationary units - freestanding - factory fitted <span style="float: right;">PNC 913352 <input type="checkbox"/></span></li> <li>• Kit endrail and side panels, flush-fitting, left - factory fitted <span style="float: right;">PNC 913396 <input type="checkbox"/></span></li> <li>• Kit endrail and side panels, flush-fitting, right - factory fitted <span style="float: right;">PNC 913397 <input type="checkbox"/></span></li> <li>• Kit endrail and side panel (12.5mm), for installation with backsplash, left - factory fitted <span style="float: right;">PNC 913420 <input type="checkbox"/></span></li> <li>• Kit endrail and side panel (12.5mm), for installation with backsplash, right - factory fitted <span style="float: right;">PNC 913421 <input type="checkbox"/></span></li> <li>• Drain standpipe for boiling pans (PBEN20/30/40 &amp; PPEN20/30) <span style="float: right;">PNC 913429 <input type="checkbox"/></span></li> <li>• Kit endrail and side panels, flush-fitting, for back-to-back installation, left - factory fitted <span style="float: right;">PNC 913485 <input type="checkbox"/></span></li> <li>• Kit endrail and side panels, flush-fitting, for back-to-back installation, right - factory fitted <span style="float: right;">PNC 913486 <input type="checkbox"/></span></li> <li>• Kit endrail and side panel (12.5mm), for back-to-back installation, left - factory fitted <span style="float: right;">PNC 913497 <input type="checkbox"/></span></li> <li>• Kit endrail and side panel (12.5mm), for installation with backsplash, right - factory fitted <span style="float: right;">PNC 913498 <input type="checkbox"/></span></li> <li>• Connectivity kit for ProThermetic Boiling and Braising Pans ECAP - factory fitted <span style="float: right;">PNC 913577 <input type="checkbox"/></span></li> </ul> |
|--|--|

## High Productivity Cooking Electric Rectangular Boiling Pan, 300lt, Freestanding + Tap

Front

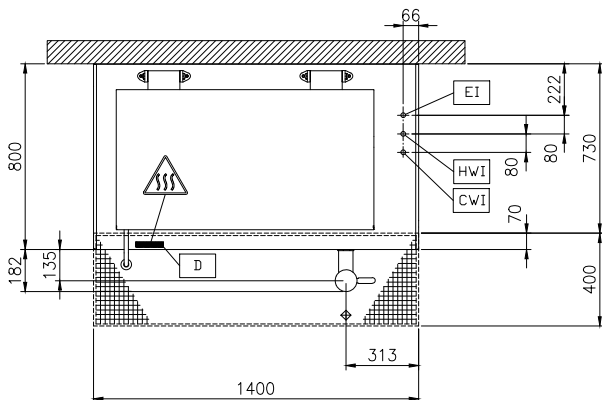


Side



CWI = Cold Water inlet 1 (cleaning)  
 EI = Electrical inlet (power)  
 HWI = Hot water inlet

Top



### Electric

**Supply voltage:** 400 V/3N ph/50/60 Hz  
**Total Watts:** 36.2 kW

### Installation:

**Type of installation:** FS on concrete base; FS on feet; On base; Standing against wall

### Key Information:

**Working Temperature MIN:** 50 °C  
**Working Temperature MAX:** 110 °C  
**Vessel (rectangle) width:** 1056 mm  
**Vessel (rectangle) height:** 571 mm  
**Vessel (rectangle) depth:** 556 mm  
**External dimensions, Width:** 1400 mm  
**External dimensions, Depth:** 800 mm  
**External dimensions, Height:** 800 mm  
**Net weight:** 285 kg  
**Configuration:** Rectangular; Fixed  
**Net vessel useful capacity:** 300 lt  
**Double jacketed lid:** ✓  
**Heating type:** Indirect